



## Kickspace Heater

Model : HTA15

# INSTALLATION & USER MANUAL

Please read and save these manual

Thank you for purchasing this **AIREPUSH** product.

Please read these manual carefully before attempting to install, operate, or service the products. Failure to follow the instructions may result in personal injury or property damage.

Please retain this manual for future reference.

# Contents

Safety Considerations .....	1, 2, 3
Description .....	3
Unpacking .....	3, 4
Dimensions .....	4
Specifications .....	5
Installation .....	5, 6, 7
Programming .....	8
Maintenance .....	9
Wiring Diagram .....	10
Warranty .....	10

# Safety Considerations

## **WARNING**

To reduce the risk of fire, electric shock or personal injury, please observe the following:

- Please use this equipment in the manner prescribed by the manufacturer. If you have any questions, please contact the manufacturer.
- Installation work and electrical wiring must be completed by qualified personnel in accordance with all applicable codes and standards, including fireproof construction.
- When cutting or drilling, do not damage wires or other hidden facilities.
- Before servicing or cleaning unit, switch power off at service panel and lock the service disconnecting mains to prevent power from being switched on accidentally. When the service disconnecting mains cannot be locked, securely, fasten a prominent warning device, such as a tag, to the service panel.
- Do not set the power supply in a wet place or electric shock can occur.
- Do not disassemble the unit for reconstruction. It may cause fire or electric shock. This product must be grounded.
- This heater is hot when in use. To avoid burns, do not let bare skin touch hot surfaces. Keep combustible materials, such as furniture, pillows, bedding, papers, clothes, etc. and curtains at least 3 feet (0.9m) from the front of the heater.
- Extreme caution is necessary when any heater is used by or near children or invalids and whenever the heater is left operating and unattended.
- Do not operate any heater after it malfunctions. Disconnect power at service panel and have heater inspected by a reputable electrician before reusing.
- Do not use outdoors.
- Do not use heater for dry out.

# | Safety Considerations

- Paint, plaster, sawdust and drywall sanding dust must be kept out of heater.
- If necessary to disconnect the heater, switch off the controller and disconnect power to the heater circuit at the main disconnect switch panel (or operate the internal disconnect switch, if available).
- Do not insert or allow foreign objects to enter any ventilation or exhaust opening, as this may cause an electric shock or fire, or damage the heater.
- To prevent a possible fire, do not block air intakes or exhaust in any manner.
- The heater has heat generating and arcing or sparking parts inside. Do not use where petrol, paint or flammable vapours or liquids are used or stored.
- Use this heater only as described in this manual. Any other use not recommended by the manufacturer may cause fire, electric shock, or injury to persons.
- To avoid electrical shock: do not install the unit in a tub or shower enclosure or any location where it may come in contact with water. Never place a switch where it can be reached from a tub or shower.
- Do not connect the heater to dimmer switch or speed control.
- Do not install the heater upside down or sideways. The heater must be located in the horizontal position.
- Do not recess louvered face of the heater more than three inches from the vertical face of any overhang (cabinet).
- Please follow the instructions in the “Wiring Diagram” of the manual for wiring.
- This heater must be grounded.
- Avoid use in high humidity to avoid reducing the service life of the parts.

## Safety Considerations

- This heater is equipped with intelligent temperature sensing, which may be activated automatically. Before cleaning or servicing, turn off the power at the service entrance.
- This heater has over-temperature protection to warn of excessive part temperatures. If the display panel shows the “H1” error code, turn off the heater immediately and check for any objects on or near the heater that could cause high temperatures.
- This heater may not be installed on ceilings or exterior walls.
- This heater may not be installed in a wall rated as a “fire wall”.

Please be sure to save the above safety considerations!

## Description

AIREPUSH Kickspace Heater, also known as Plinth Heater, are designed to provide a unique yet purposeful solution to those “hard-to-heat” areas.

This unit is only  $3\frac{4}{5}$ ” tall, perfect for tuck under the cabinet kickspaces, vanity bases, stairways, or any place where space is limited. Providing warm air for cold bathrooms or kitchens, saves wall and floor space.

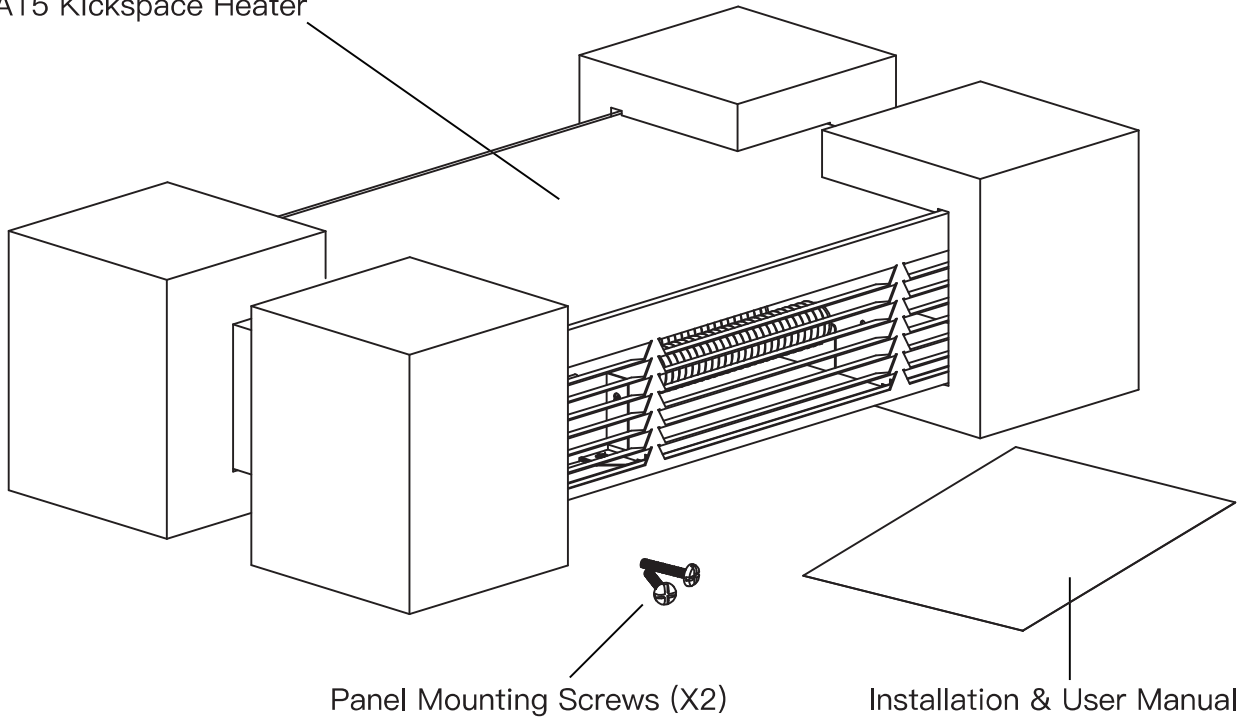
This unit has a baked enamel finish for durability. The vertical louvres disperse the heat evenly over the target area. Efficient electric heating elements provide comfortable heat in seconds. Also comes with a built-in thermostat and timer (digital display) to provide a simple way to set your desired temperature, maximize room comfort and energy-saving efficiency.

## Unpacking

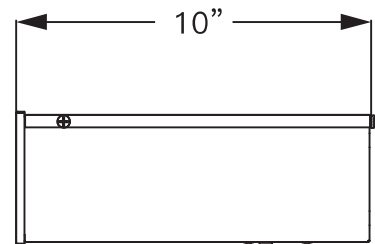
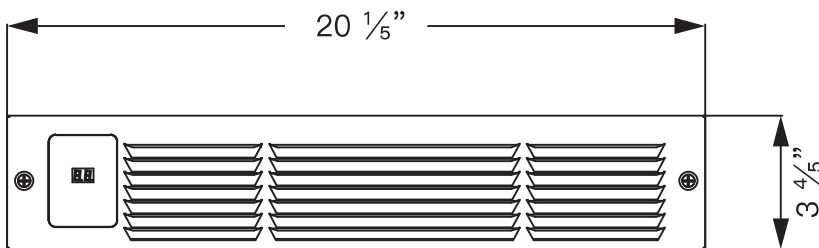
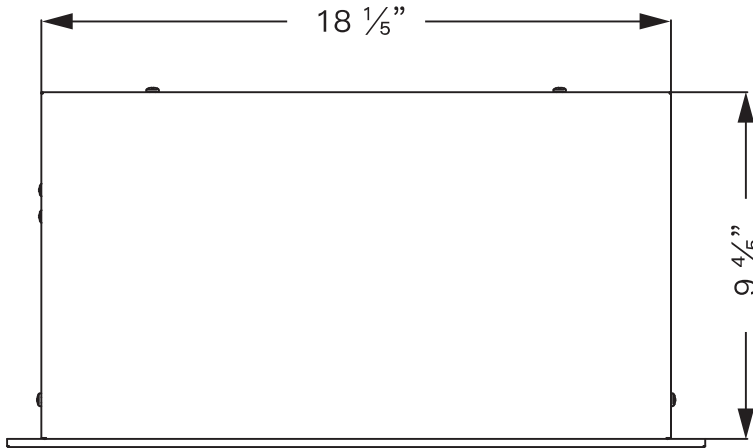
Carefully open the package containing the kickspace heater. Check that all items are included according to the specifications and that all parts are undamaged.

# Unpacking

HTA15 Kickspace Heater



# Dimensions



## Specifications

MODEL	CAPACITY	COVERRRAGE AIEA	WATTS	VOLTS	AMPS
HTA15	5200 BTU/h	100–150 sq.ft	1500	120/240	12.5/6.3

## Installation

Installation work and electrical wiring must be done by a qualified person(s) in accordance with all applicable codes and standards, including fire-rated construction codes and standards.

### NOTE:

- It is recommended that flexible conduit be used for field wiring to the unit to protect the wires from sharp objects or hazardous environments.
- Be sure supply voltage meets the equipment requirement. Refer to the rating plate, unit wiring diagram and specification table.

### WARNING:

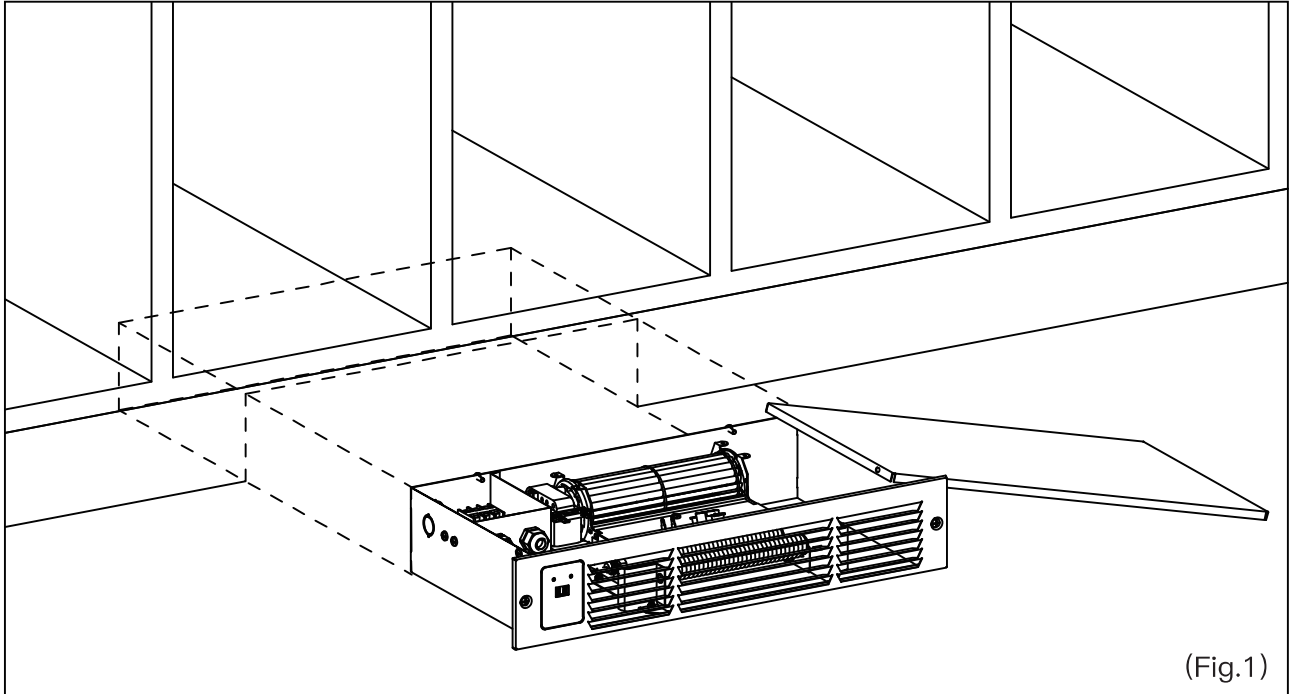
- Do not operate heater without top cover in place.

### CAUTION:

- For proper and continuous safe operation, your heater must be inspected and cleaned regularly. If used as primary heat, inspect and clean the heater at least annually, or more frequently if necessary, and do not continue to use the heater if lint and dirt have built up inside it.
- This heater may be wired with standard building wiring (rated minimum 60° C).
- Horizontal installation only.

# Installation

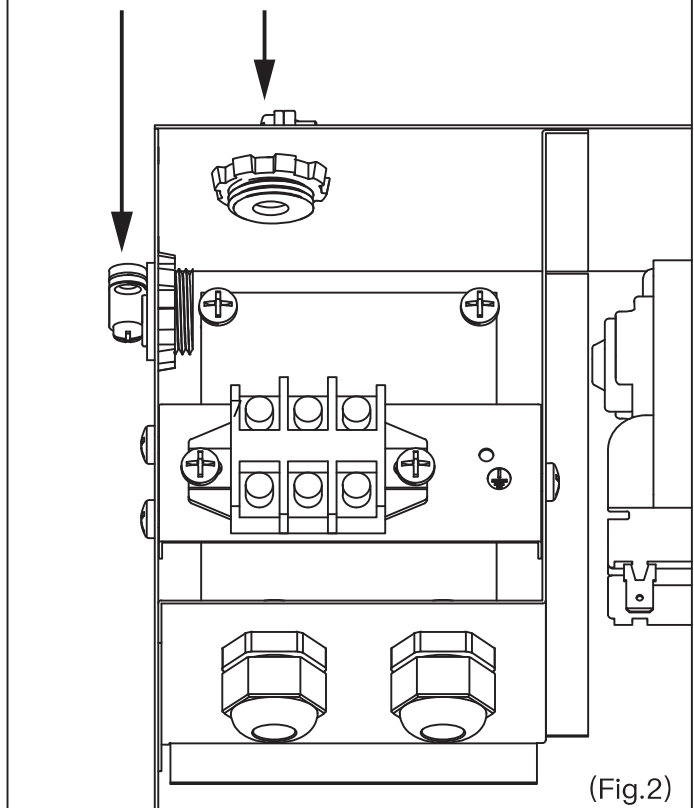
**Step 1:** Cut a 18 1/8" x 3 2/3" (463 x 93 mm) opening in the location to be installed, keeping the clearance area clear of obstructions, remove the cover from the heater housing, and remove the screws from the cover. (Fig.1)



(Fig.1)

**Step 2:** Determine which opening in the housing will be used for field wiring and remove (requires own clip-on cable connector, size: 3/8"), then install the clip-on cable connector. (Fig.2)

Clip-on cable connector mounting position, one of two options.



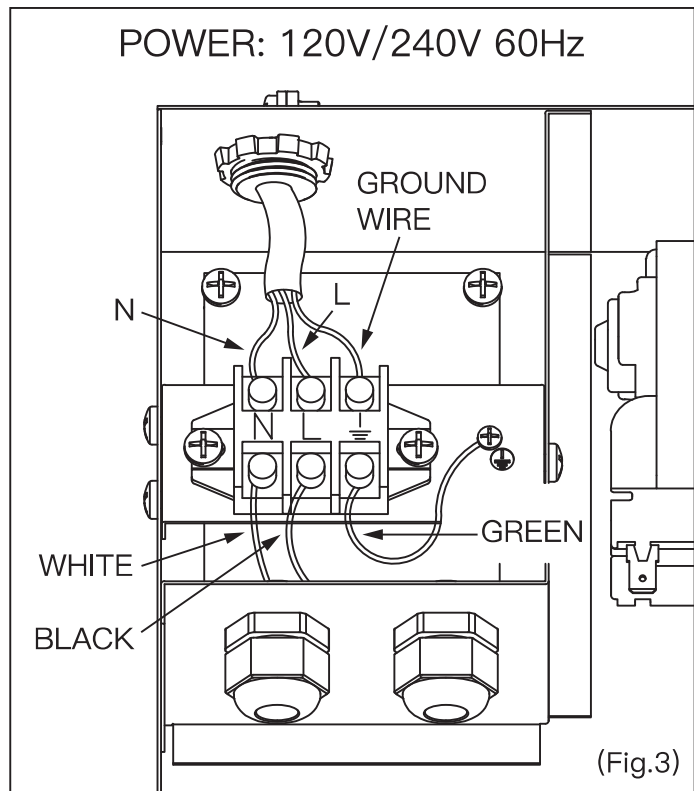
(Fig.2)



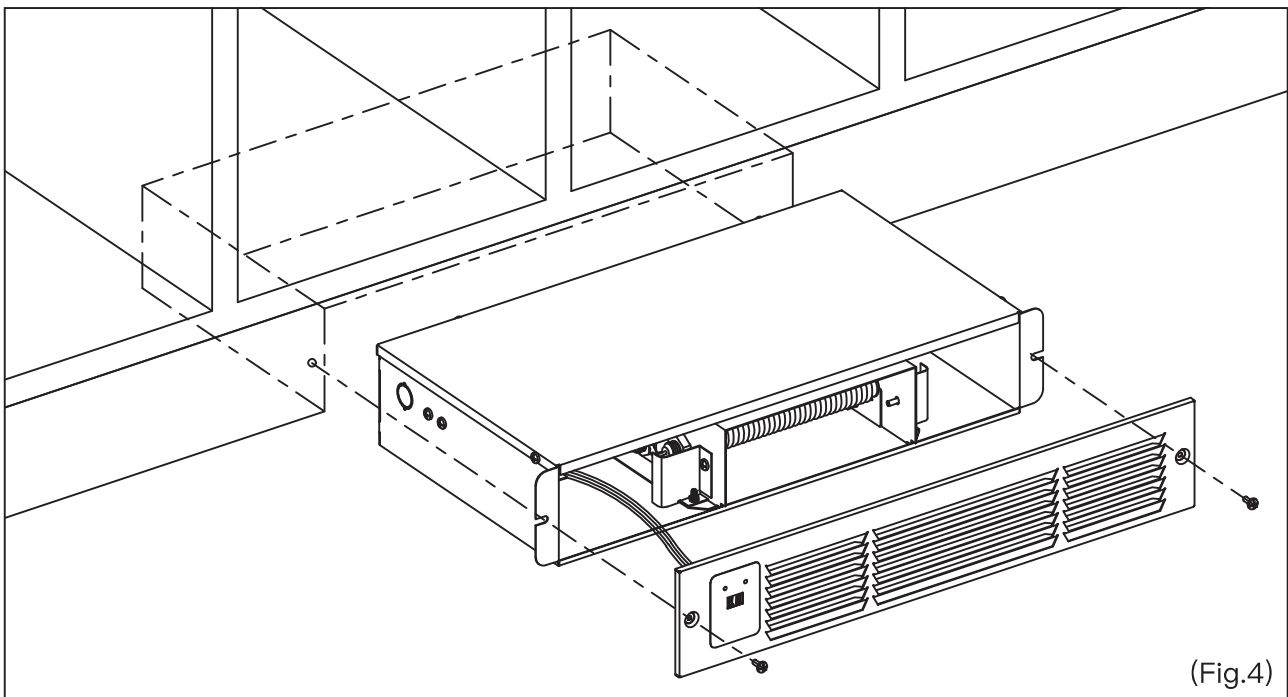
# Installation

**Step 3:** Route the field wiring through the clip-on cable connector, leaving 3" (76mm) of wire inside the junction box and into the heater's terminal strip.

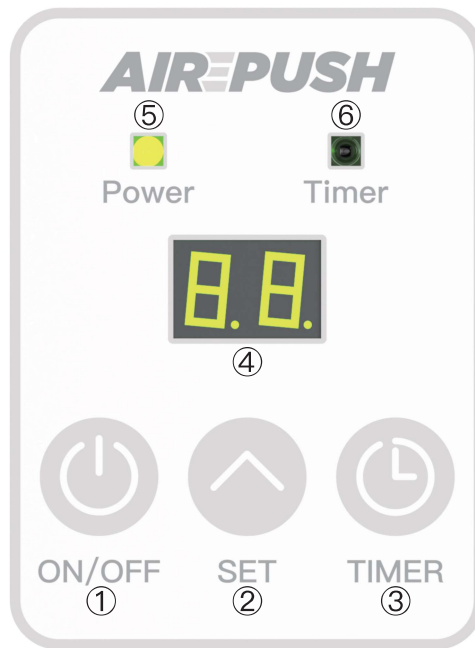
Note: be sure to ground, and route your fire wire(L) into correspondence with the black wire, your zero wire(N) into correspondence with the white wire, and your ground wire into correspondence with the green wire. (Fig.3)



**Step 4:** After making sure that all the wiring is connected correctly and stable, cover the lid, do not put it into the opening first, power on the heater to test whether it will start running normally, if it runs normally, please immediately power off, then put the heater into the opening and lock the included screws against the holes. (Fig.4)



# Programming



## 1. Power Button

Click to power on or off the heater.

## 2. Temperature Setting Button

Set the target temperature, single click to adjust up 5 °F, long press to quickly adjust up the temperature. (Range: 40°F–95°F)

## 3. Timer Button

Set timed shutdown, single click to adjust up 1h (Range: 1h–9h), display (--) for the exit timer; long press 5s to off the screen, when the screen off state, click any button to wake up the screen.

## 4. Digital Display

Displays the temperature setting value, and timing.

## 5. Power Indicator

The power indicator is on to indicate that the heater is working;

The power indicator is off to indicate that the heater is off;

The power indicator flashes to indicate that the heater is in standby mode.

## 6. Timer Indicator

The timer indicator is on to indicate that the timer has started;

The timer indicator is off to indicate that the timer has been switched off.

# Maintenance

For correct and consistently safe operation your heater must be inspected and cleaned regularly, depending on the application (It is recommended that the heater should be inspected and cleaned at least once a year).

If used as a primary heat source, the heater should be inspected and cleaned at least once a year, or more if necessary.

This heater has a built-in thermostat. Switch off the power to the service entrance before cleaning or servicing.

This heater is permanently lubricated and never needs oiling or disassembly.

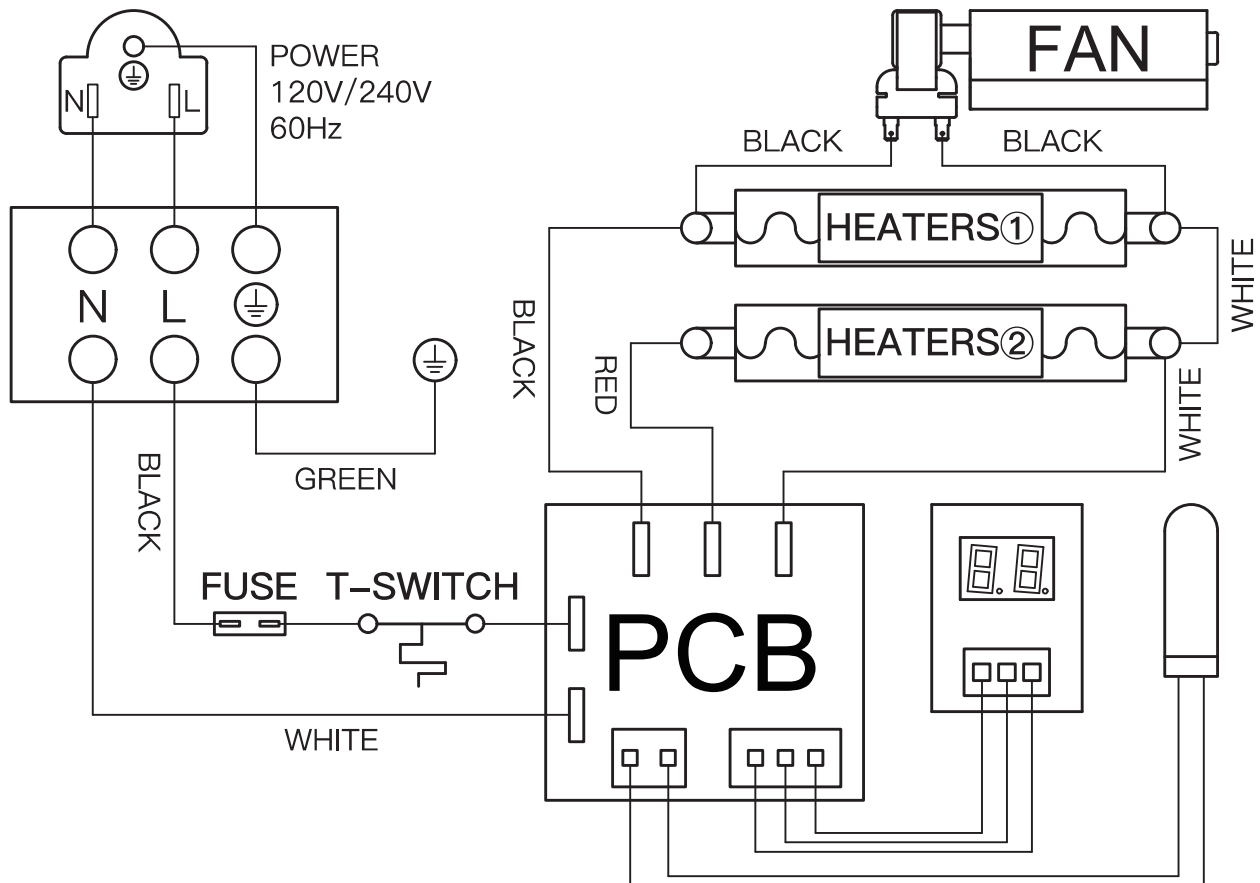
The following maintenance and cleaning tasks can be performed by the user. All other servicing must be performed by an authorized technician. If you have any questions, please consult with our customer service department. ([www.airepush.com/warranty](http://www.airepush.com/warranty); [support@airepush.com](mailto:support@airepush.com))

## CLEANING

1. Disconnecting the power at the main service panel;
2. Ensure that the heating element is cool;
3. Remove the screws and grills;
4. Slide the heater and back box out;
5. Remove the top of the housing;
6. Clean the inside of the blower and heater with a vacuum cleaner with a brush attachment;
7. Carefully rotate the blower wheel with your fingers to make sure it turns freely. If you find any problems, stop using the heater until it is repaired;
8. Replace the cover;
9. Push the heater back into place;
10. Secure the grille and heater with screws;
11. Reconnect the power supply;
12. Verify that the heater is operating properly.

NOTE: Metal and electrical parts should never be immersed in water.

## Wiring Diagram



## Warranty

AIREPUSH ensure the product components will be free of material defects in workmanship or materials for a period of 1 years following the date of initial purchase of such product by a customer. This warranty is limited to the repair or replacement of defective equipment.

If it is necessary to return unit for service, customer is solely responsible for proper packaging, transportation costs. Customer must initiate warranty process by contacting AIREPUSH. Do not send any component or product back to AIREPUSH without return material authorization.

This limited warranty does not apply to any part or component that is damaged in transit or when handling, has been subject to misuse, corrosion, chemicals, acts of God, has not been installed, operated or serviced according to the seller's instructions, or has been operated beyond the factory rated capacity or has been altered in any way. Routine maintenance is not covered by this warranty.

AIREPUSH shall not be responsible for loss of use of any product, loss of time, inconvenience, or damage to other equipment, or any other indirect or consequential damage with respect to property whether as a result of breach of warranty, neglect, or otherwise.

## Extraordinary Quality Led by AIREPUSH



Warranty  
QR Code

[www.airepush.com/warranty](http://www.airepush.com/warranty)  
[support@airepush.com](mailto:support@airepush.com)  
(866) 716-8668  
(8:00 am to 7:00 pm PST), Monday to Friday